

Gimbal LED Downlight

Installation instructions

Description

The Downlight 20W is an energy-efficient LED recessed ceiling fixture that is perfectly suited for mounting in system/hollow ceilings. The fixture provides a pleasant light with a beam angle of 30°. The fixtures comes complete with suited driver (included). It is mounted using a spring clamp connection.

Package contents

1 x Downlight 20W
1 x Driver with open cable end
1 x Manual

Carefully unpack the carton. Check the contents to ensure that all parts are present and have been received in good condition. If any parts appear damaged or missing, notify the shipper immediately and retain packing material for inspection. In the event that the fixture must be returned to the factory, it is important that the fixture is returned in the original factory box and packaging.

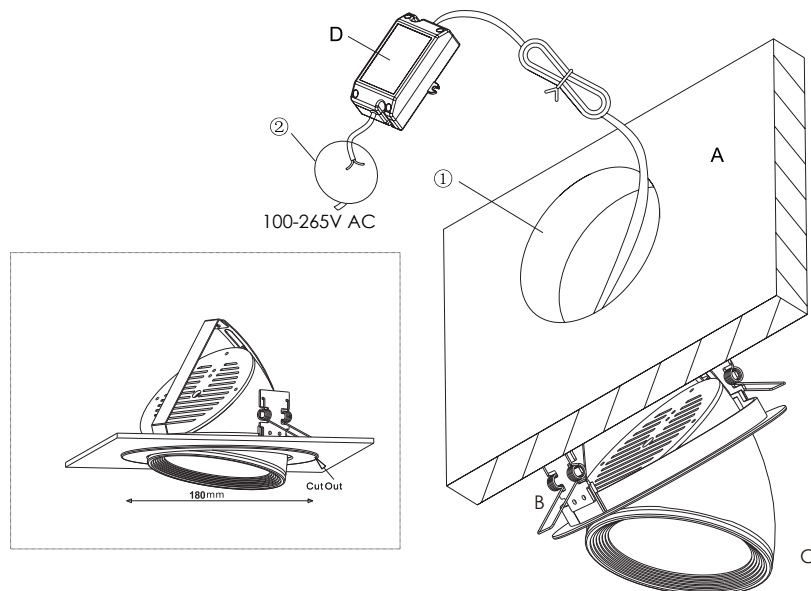
Safety Instruction

- **Unplug mains before installing or wiring the fixture**
- **Never look directly into the light source**

User must be qualified to be involved with installation and maintenance of this product.
User must follow the safety instructions and warning notes written in this manual.

Installation

- 1 Make a hole
- 2 Connect the power wire
- 3 Push spring
- 4 Put the lamp in the whole



- A Wall / ceiling
- B Spring
- C LED lamp
- D Driver

