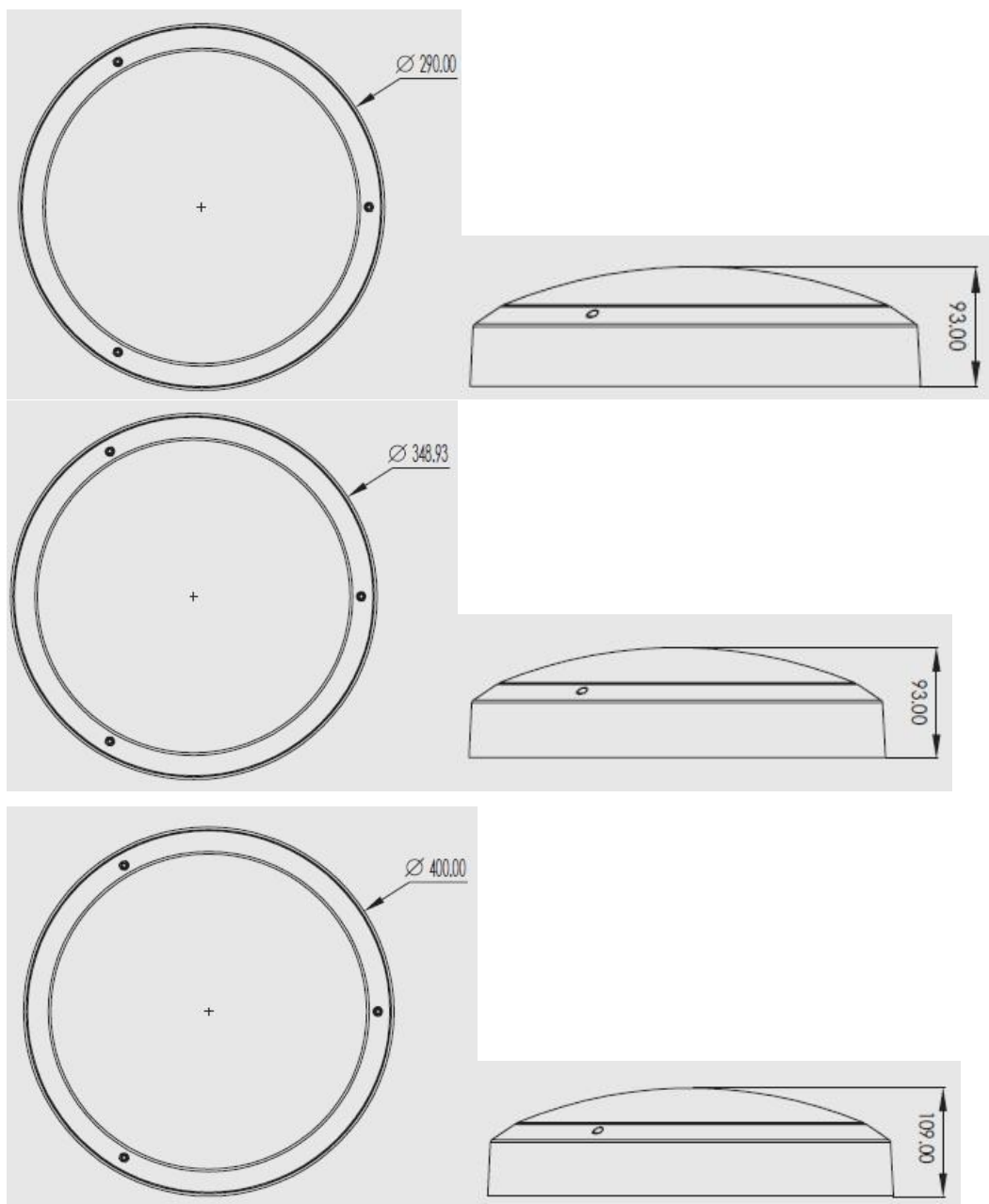


1. Product dimension:

SS-SML-290,350,400mm-75,105,135P-18W,28W,38W-IP65-DIM



Model	Diameter(mm)	Height(mm)
SS-SML-290mm-75P-18W-SMD	290	93
SS-SML-326mm-105P-28W-SMD	350	93

SS-SML-395mm-135P-38W-SMD	400	109
---------------------------	-----	-----



2. Key features

It is a decorative surface luminaire using high quality LG SMD5730 LEDs as lighting source and high frequency driver in all models, suitable for wall and ceiling mounting.

The aluminum base is supplied complete in a variety of finishes. The diffuser is attached using a twist and lock type, made by a high grade of PMMA that meets the IK 08 5J standard.

Ceiling light with Dimmable and Microwave sensor function is available.

PF>0.9

Conversion Efficiency>85%

Beam angle: 120°

CCT : cool white : 6000K , Commercial white : 4000K , warm white : 2700 and 3000K

White or Satin finish base available

LED Driver	Specification
Main voltage:	220-240V 50/60HZ
Power factor:	>0.9
Operation temperature	Ta:-20~50℃ Tc:75℃
Max. Efficiency	90% Max
Abnormal protection	Output short-circuit protection with
Over-heat protection	over-heat protection with auto-reset
Dielectric strength	Input →Output: 3750Vac/5mA/1min
IP grade	1P20
EMC standard	EN55015 EN61547
Safety standard	EN61347-1 EN61347-2-13
Certification	SEMKO. CE

3. Specification

Input voltage: 110~240VAC

Power Factor:>0.9

CRI:>80Ra

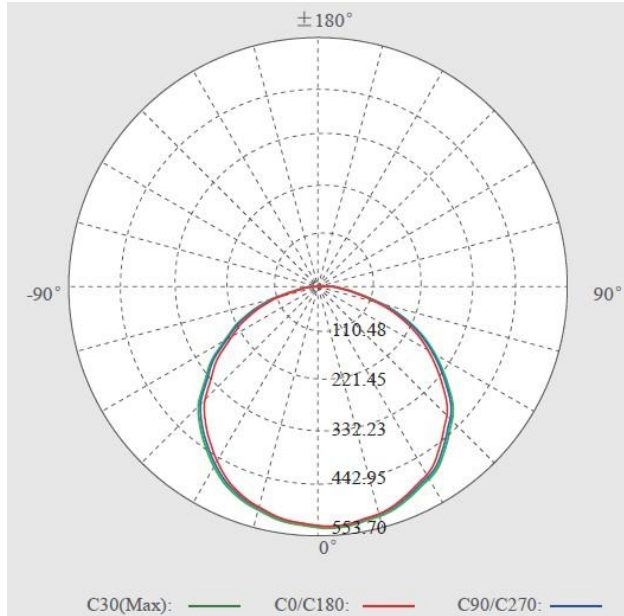
IP20 Waterproof level Switch dimmable and 1-10V Dimmable

Model	LED	Wattage	Colour Tempe	Lumens	Size	Dimmable Constant current	
						1-10V	Switch
SS-SML-290mm-75P-18W-SMD	75Pcs LG 5630 LEDs CRI>80Ra	18W	2700K 3000K 4000K	1400Lm 1500Lm 1600Lm	∅ 290mm	YES	YES
SS-SML-326mm-105P-28W-SMD	105Pcs LG 5630 LEDs CRI>80Ra	28W	2700K 3000K 4000K 6000K	2200Lm 2400Lm 2600Lm 2800Lm	∅ 350mm	YES	YES

SS-SML-395mm-135P-38W-SMD	135Pcs LG 5630	38W	2700K	3200Lm	∅ 400mm	YES	YES
	LEDs		3000K	3400Lm			
	CRI>80Ra		4000K	3600Lm			
			6000K	3800K			

4. Technical information

18W

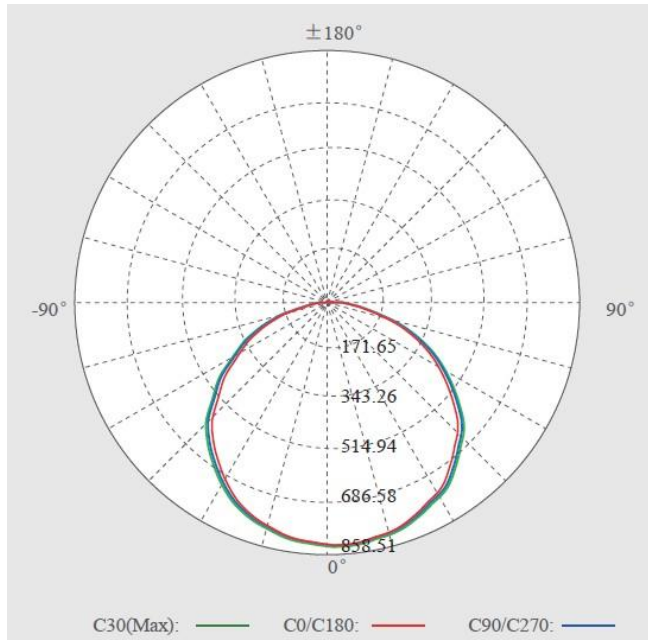


Illuminance at a Distance

	Center Beam LUX	Beam Width	
		V	H
2m	135.63 LUX	6.2m	6.3m
4m	33.91 LUX	12.4m	12.5m
6m	15.05 LUX	18.6m	18.8m
8m	8.51 LUX	24.7m	25.0m
10m	5.43 LUX	30.9m	31.3m
12m	3.77 LUX	37.1m	37.6m

Vert. Spread: 73.75 Horiz. Spread: 74.15

28W

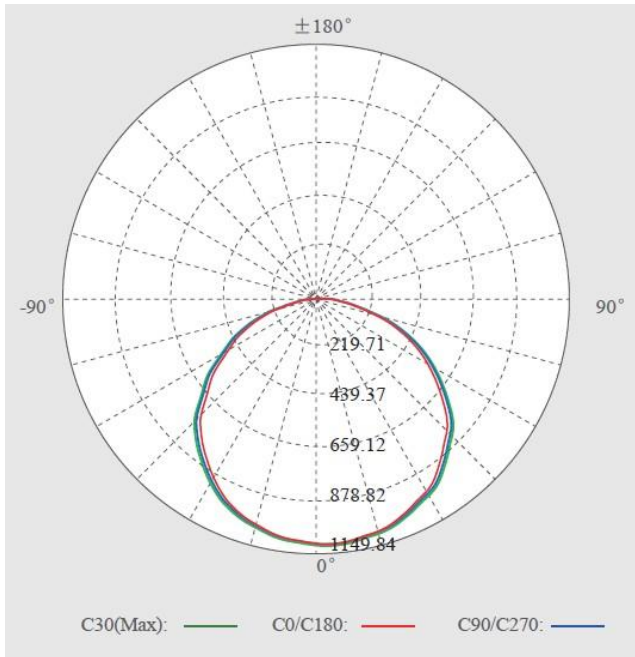


Illuminance at a Distance

	Center Beam LUX	Beam Width	
		V	H
2m	210.24 LUX	6.2m	6.3m
4m	52.56 LUX	12.4m	12.5m
6m	23.36 LUX	18.6m	18.8m
8m	13.14 LUX	24.7m	25.0m
10m	8.41 LUX	30.9m	31.3m
12m	5.84 LUX	37.1m	37.6m

Vert. Spread: 114.3 Horiz. Spread: 114.9

38W



Illuminance at a Distance

	Center Beam LUX	Beam Width	
		V	H
2m	269.11 LUX	6.2m	6.3m
4m	67.28 LUX	12.4m	12.5m
6m	29.90 LUX	18.6m	18.8m
8m	16.82 LUX	24.7m	25.0m
10m	10.76 LUX	30.9m	31.3m
12m	7.48 LUX	37.1m	37.6m

Vert. Spread: 146.30 Horiz. Spread: 147.07

5. Application information

1. Replacement for traditional recessed lights
2. Ceiling light
3. Shopping center
4. Walkway
5. Hotel
6. Restaurant
7. Entertainment places
8. Display case
9. Museum
10. Household
11. Entertainment places

6. Package & Certification

Model	Net Weight : (KG)	Volumetric weight(KG)	Inner Box Size: (mm)	Carton Size: (mm)	Quantity per Carton	Gross Weight Per Carton	Volumetric weight per carton(kg)
SS-SML-290mm-75P-18W-SMD	0.45	2.15	32x10.5x32	65.5x54.5x33	10	9.18	23.6
SS- SML-326mm-105P-28W-SMD	0.73	3.18	38x11x38	77.5x57x40	10	12.72	35.4
SS-SML-395mm-135P-38W-SMD	0.89	4.65	44x12x44	63.0 x 46.0 x 47.0	5	8.44	27.3

7. Caution

Suitable for wall and ceiling mounting, indoor using only
 Only to be installed with qualified electrician
 Kindly notice the power is off when installation
 Supplied with LED and power supply

8. Installation

