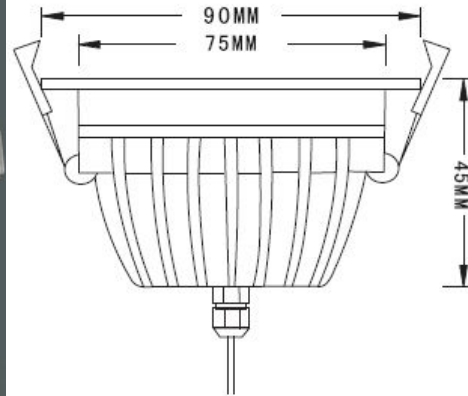


SS-DL-92mm-SS-SMD-9W-RD-120D-IP65

### 1. Product dimension:



### 2. Key features

- Used Samsung 5630 LED chip
- No Flicker
- Have 4 years warranty
- Dimmable when using triac dimmer
- Environment friendly, without Mercury or any other hazardous substances
- Have a CE, RoHS, SAA certificates
- IP grade: IP65

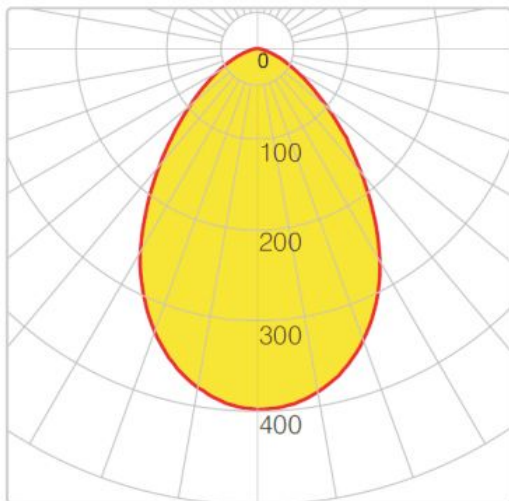
### 3.Specification

Working Voltage	AC85-240V
Led Consumption	9W
Led Luminous Efficiency	90Lm /W
Led Initial Flux	800Lm
lamp's Efficiency	> 87 %
Luminance Uniformity	>0.5
Color Temperature	As above shows
Color Rendering Index	Ra > 80
Light Distribution	Round shaped
Light Design	LED+ diffuser
Junction Temperature	≤80°C
Working Temperature	-40°C ~ 55°C
Storage Temperature	-25°C ~ +65°C
IP Grade	IP65
Net weight	0.48 Kg
Life-span	50000H
lamp fixture	Black/White/Silvery
warranty	4years

### 4.Technical information

#### Photometric Curve:

Polar Cabdela Distribution



Illuminance at dsitance



## 5. Application information



## 6. Package & Certification

Certificates:CE, ROHS, SAA

Internal box size:10\*10\*7.5cm/0.4kg/pcs

Carton size:63\*31\*27cm/14.9kg/48pcs

## 7. Caution

Suitable for wall and ceiling mounting, indoor using only

Only to be installed with qualified electrician

Kindly notice the power is off when installation

Supplied with LED and power supply

Operating Temperature range is -20°C to 45°C ambient

Using in dry location only, not suggest to be used in totally enclose recessed fixture.

## 8. Installation



