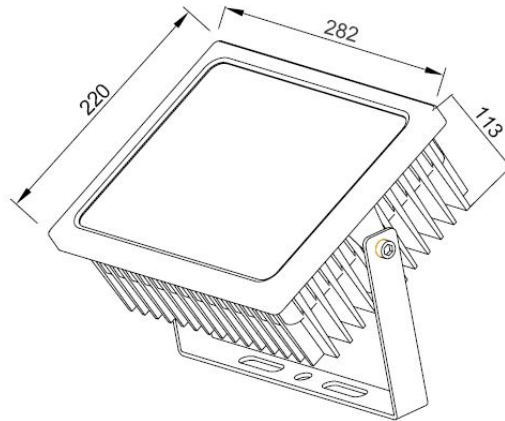


1. Product dimension:

SS-FL-15W-AC, SS-FL-30W-AC, SS-FL-40W-AC, SS-FL-60W-AC,
SS-FL-80W-AC, SS-FL-100W-AC, SS-FL-120W-AC



Unit:mm



2. Key Features

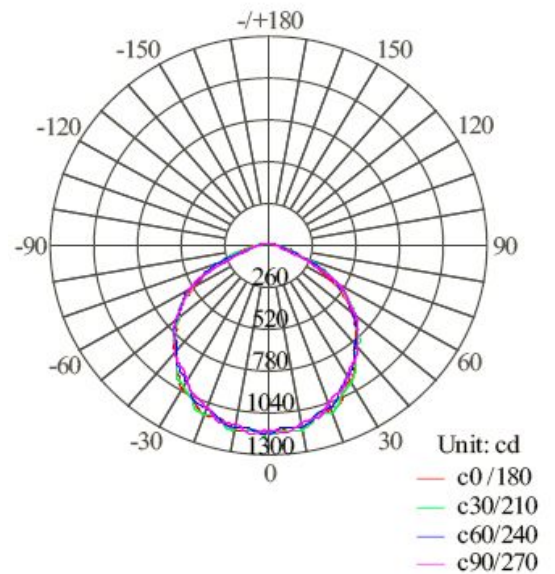
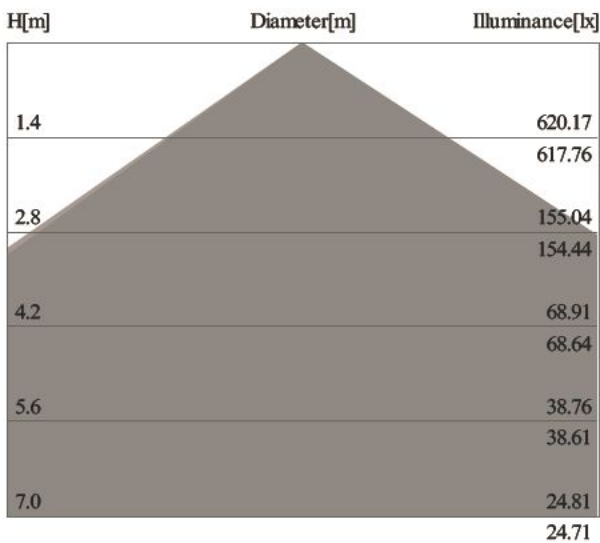
Driverless 50,000Hours Life Span
4 Year warranty
100W Sodium Lamp replacement
Scientific thermal design,longer life span
Original SAMSUNG LED,low life decay rate
Clean and pure light effect,energy saving

3. Specification

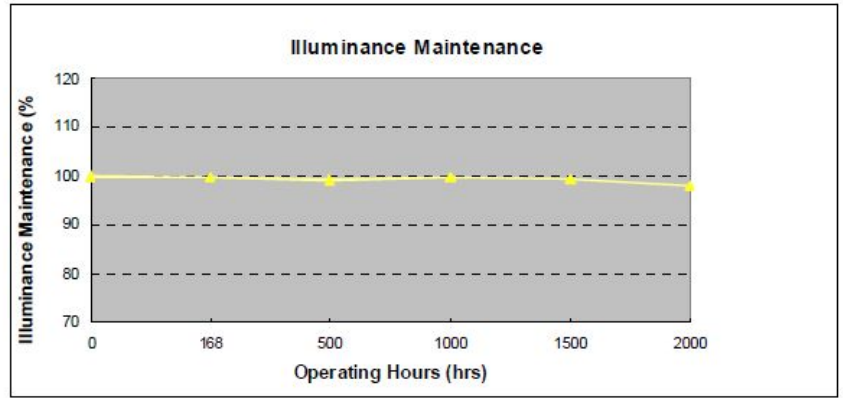
Material: Die casting aluminum6063+Glass
Power factor (PF) : ≥ 0.95
Efficiency: $\geq 85\%$
Frequency (Hz) : 47 to 63Hz
Life time(Hrs) : $\geq 50,000$ H
Humidity: 5 to 95% R.H.
Luminous Flux:55Lm/W
IP degree: IP66
Work temperature: $-40^{\circ} \sim +55^{\circ}\text{C}$
Stock temperature: $-40 \sim +85^{\circ}\text{C}$
Electric-shock safeguard: CLASS I
Beam angle:120°
CRI:>75Ra
Lumen attenuation:1000hours<0.5%

Model	LED	Watt	Size: (mm)	Color	Luminous Flux	Beam Angle	Power Factor	Life Time
SS-FL-15W-AC	OSRAM 3030	15W	159*132*53	4700-5300K/ 6000-7000K	1000LM±5% 1200LM±5%	120°	>0.95	50,000Hrs
SS-FL-30W-AC	OSRAM 3030	30W	203*176*64	4700-5300K/ 6000-7000K	2100LM±5% 2300LM±5%	120°	>0.95	50,000Hrs
SS-FL-30W-AC	OSRAM 3030	40W	219*190*64	4700-5300K/ 6000-7000K	2800LM±5% 3000LM±5%	120°	>0.95	50,000Hrs
SS-FL-60W-AC	OSRAM 3030/ Everlight LED	60W	282*220*113	4700-5300K/ 6000-7000K	4400LM±5% 4600LM±5%	120°	>0.95	50,000Hrs
SS-FL-80W-AC	OSRAM 3030	80W	282*220*117	4700-5300K/ 6000-7000K	5800LM±5% 6400LM±5%	120°	>0.95	50,000Hrs
SS-FL-100W-AC	OSRAM 3030	100W	282*220*119	4700-5300K/ 6000-7000K	7800LM±5% 8000LM±5%	120°	>0.95	50,000Hrs
SS-FL-120W-AC	OSRAM 3030	120W	282*220*119	4700-5300K/ 6000-7000K	9200LM±5% 10000LM±5%	120°	>0.95	50,000Hrs

4. Technical Information



Testing condition: None break operation



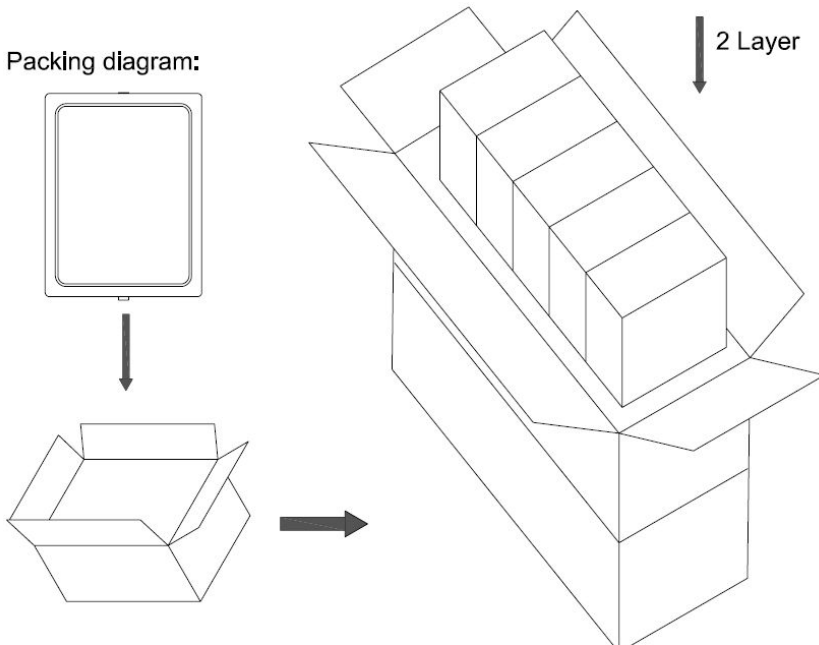
5. Application Information

- Parking areas
- Tunnels
- Public places
- Industrial places
- Factories&outdoors
- Advertising boards
- School playgrounds

6. Package & Certification

Inner box: 305*275*150mm
Outer Carton: 61*34*28.5cm
Quantity: 4Pcs/CTN
N.W: 2500g/PC
G.W: 3200g/PC

Packing diagram:



7. Installation and maintenance:

1 Please cut off the electrical power when install or remove the light, and under professional technician's instruction.

2 Please take care of the glass cover when installing.

Please do not remove any parts

For outdoor use only

Must be under the required voltage

Can be placed in conventional

8-10 Hours used per day