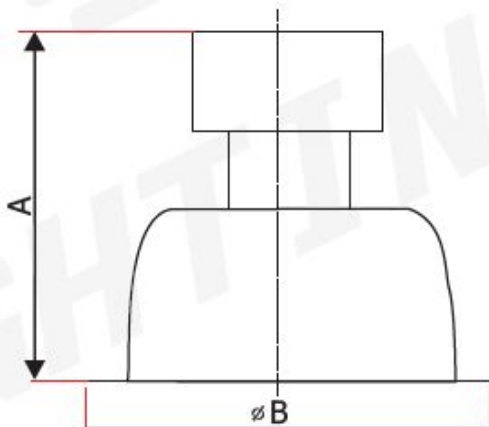
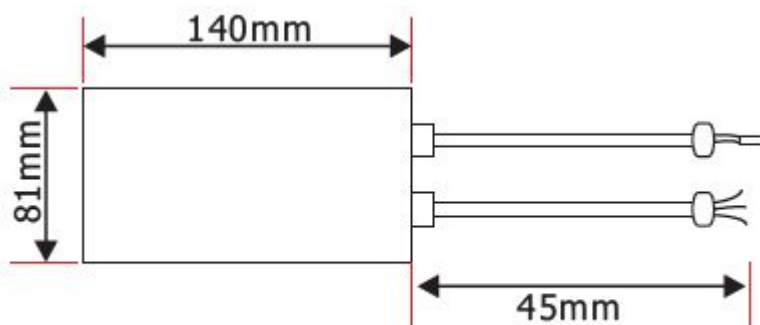


SS-DL-18W; SS-DL-23W; SS-DL-27W

1. Product dimension:



Item NO	A	B
C6-D18W-XX	173	190
C6-D23W-XX	173	190
C6-D27W-XX	193	190



driver height:40mm

2. Key features

The Retrofit Kits delivers high lumens of exceptional 80+CRI light,Lifetime>50000H while achieving

maximum to 91 lumens per watt with 3000K,3500K,4000K,5000K color temperatures options.The Retrofit Kits conversion for most manufacturers incandescent, CFL or H.I.D. fixtures with apertures of 6.14 “min. to 6.7” max diameter, Lumen packages comparable to mean lumens for 26W, 32W, 42W, 2x13W , 2x26W ,2x32W, CFL and 39W,50W, 70W CMH with energy savings up to 50%.Easy conversion method and installation can be performed from below the ceiling without removing existing fixture.Ideal applications include office spaces,major retail stores, education, government, healthcare, and hospitality.

### 3. Specification

#### LED Chip

Superior-quality white LED light output using Chip on Board of cool ceramic, use CREE COB. LED sources has been LM80 test report from accredited testing laboratory in accordance with IESNA LM-80-2008, Standard color management maintains superior color consistency over time and temperature. CCT classification according to the ANSI C78.377-2008 standard.

#### Heat Sink

The source mounts directly to heat sink, extend aluminum heat sink with even distribution hackle cool board. High thermal conductivity, reasonable of radiation coefficient and convection coefficient to solve thermal management system design of the cooling.This enables the LEDs to consistently run cooler, providing significant boosts to lifetime, efficacy, and color consistency.

#### Optical System

The reflector is made of metal material and with surface oxidized, which effectively enhances the lumen output ratio. Also its fish scale shape design on interior surface prevent lighting glare very well, making the light effect quite even and free from layering.

#### Electrical System

The external driver ensures steady performance and long lifespan

Driver efficiency>87%

Temperature Rating: Designed to operate in temperatures 45° C and below room side and plenum side.

Driver easily replaceable from below the ceiling

Lutron and Leviton Dimming Driver available

0-10V dimming optional

Leviton: Cat,Nos: AWRMG-7XX AWSMG-7XX AWSMT-7XX IP710-LFZ IP710-DLX

Lutron: Cat,Nos: DIVA-DTV NOVA-NVTV NOVA T-NTFTV W/PP20

Driver Input: AC100-277V 50/60Hz

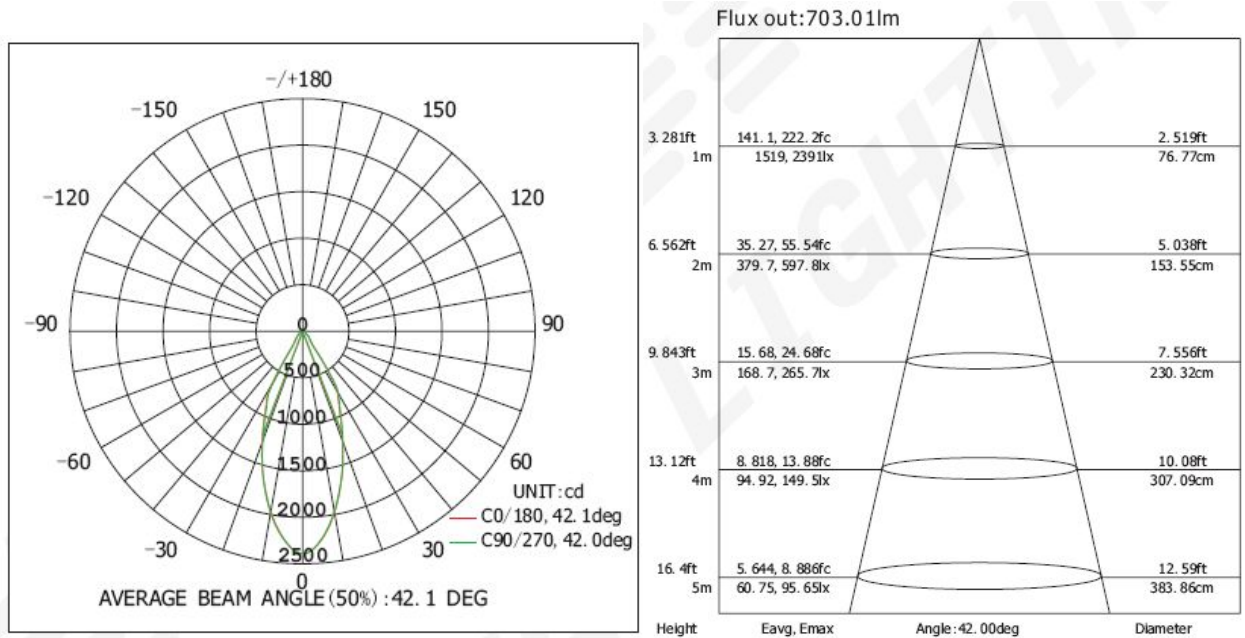
Driver output: DC36V

Catagory	Size	Function	Wattage	CCT(XX)
C=Commercial	6=6inch 8=8inch	D=Dimmable	18W=18W 23W=23W 27W=27W 33W=33W 40W=40W	30=3000K 35=3500K 40=4000K 50=5000K

**Photometric Curve:**

Fixture photometry has been conducted accredited testing laboratory in accordance with IESNA LM-79-08.

**SS-DL-18W**



Note: The Curves indicate the illuminated area and the average illumination when the luminaire is at different distance.

**PERFORMANCE SUMMARY**

- Efficacy: 82LPW
- Delivered Light Output: 1449 Lumens
- Rated Power: 18 Watts
- Chip: CREE COB by Cree TrueWhite Technology
- CRI: Ra > 80
- ES CCT Options: 3000K 3500K 4000K 5000K
- Input Voltage: 100-277 VAC
- Input current: 0.2A
- THD: < 20% (at 277V)
- PF: > 0.9 (at 277V)
- Standard Warranty: 5 Years
- Standard Lifetime: Designed minimum 50,000 hours
- Mounting: Recessed

**CERTIFICATE**

- UL and cUL listed
- CC 47 Part 15
- LM79 Report
- Energy Star Listed
- Suitable for damp locations.

## ZONAL LUMEN DENSITY MEASUREMENT

T	φ zone	φ total	lum, lamp
0-10	206.2	206.2	14.42,14.42
10-20	449.6	655.7	45.3,45.3
20-30	440.5	1096	75.7,75.7
30-40	181.4	1278	88.2,88.2
40-50	73.28	1351	93.2,93.2
50-60	43.19	1394	96.2,96.2
60-70	32.26	1426	98.4,98.4
70-80	18.53	1445	99.7,99.7
80-90	4.014	1449	100,100

## LUMINOUS INTENSITY(CD) DISTRIBUTION DATA

Y	C0	C45	C90
10	1970	1983	1981
20	1275	1272	1256
30	658.2	632.4	642.4
40	122.4	116.7	115.0
50	62.71	57.24	60.04
60	34.16	32.79	35.22
70	21.79	21.07	22.79
80	6.658	6.398	7.224
90	0	0	0

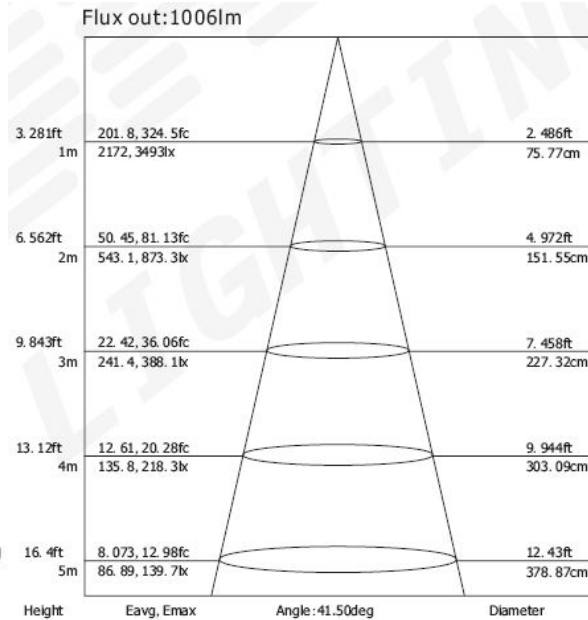
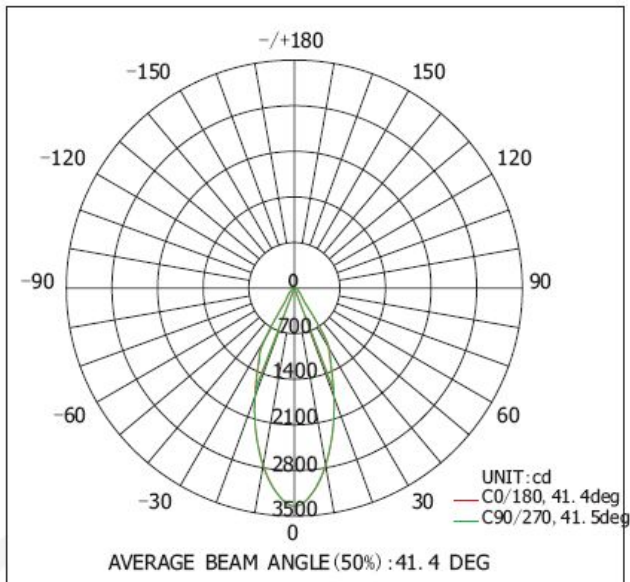
## COEFFICIENTS OF UTILIZATION

ppc	80%			70%			50%			30%			10%			0
	pw	30%	10%	50%	30%	10%	50%	30%	10%	50%	30%	10%	50%	30%	10%	
pfc	20%			20%			20%			20%			20%			0
RCR	RCR:Room Cavity Ratio						CU									
0	119	119	119	116	116	116	111	111	111	106	106	106	102	102	102	100
1	110	108	105	108	106	104	104	102	101	100	99	98	97	96	95	93
2	102	98	95	101	97	94	98	94	92	95	92	90	92	90	88	86
3	96	91	87	94	90	86	92	88	84	89	86	83	87	84	82	80
4	90	84	80	88	83	79	86	82	78	84	80	77	82	79	77	75
5	84	78	74	83	78	74	81	77	73	80	76	72	78	75	72	70
6	79	73	69	79	73	69	77	72	69	76	71	68	74	71	68	66
7	75	69	65	74	69	65	73	68	65	72	67	64	71	67	64	62
8	71	65	61	71	65	61	69	64	61	68	64	61	68	63	60	59
9	68	62	58	67	62	58	66	61	58	65	61	58	64	60	57	56
10	64	59	55	64	59	55	63	58	55	62	58	55	62	57	54	53

### SS-DL-23W

#### Photometric Curve:

Fixture photometry has been conducted accredited testing laboratory in accordance with IESNA LM-79-08.



Note: The Curves indicate the illuminated area and the average illumination when the luminaire is at different distance.

### PERFORMANCE SUMMARY

- Efficacy:91LPW
- Delivered Light Output:2068Lumens
- Rated Power:23Watts
- Chip:CREE COB by Cree TrueWhite Technology
- CRI:Ra>80
- ES CCT Options: 3000K 3500K 4000K 5000K
- Input Voltage: 100-277 VAC
- Input current:0.25A
- THD:<20%(at 277V)
- PF:>0.9(at 277V)
- Standard Warranty: 5 Years
- Standard Lifetime: Designed minimum 50,000 hours
- Mounting: Recessed

### CERTIFICATE

- UL and cUL listed
- Energy Star Listed
- FCC 47Part 15
- LM79 Report
- Suitable for damp locations.



## ZONAL LUMEN DENSITY MEASUREMENT

T	φ zone	φ total	lum, lamp
0-10	297.1	297.1	14.4,14.4
10-20	640.5	937.6	45.3,45.3
20-30	642.6	1580	76.4,76.4
30-40	289.7	1870	90.4,90.4
40-50	105.3	1975	95.5,95.5
50-60	50.96	2026	98,98
60-70	27.42	2054	99.3,99.3
70-80	12.26	2066	99.9,99.9
80-90	2.249	2068	100,100

## LUMINOUS INTENSITY(CD) DISTRIBUTION DATA

Y	C0	C45	C90
10	2799	2816	2865
20	1781	1828	1860
30	1001	1121	1135
40	206.9	235.3	240.9
50	74.96	86.42	96.41
60	35.82	38.56	47.14
70	16.67	17.34	22.88
80	4.645	5.499	7.813
90	0.0001	0.0067	0.2533

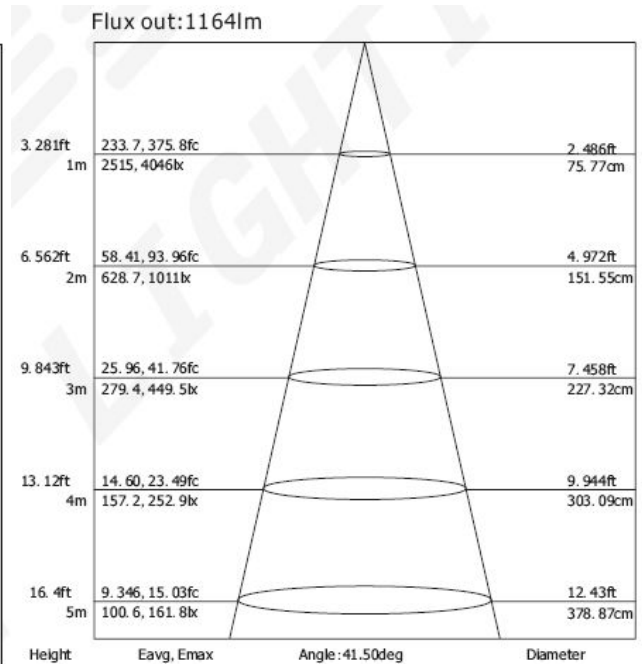
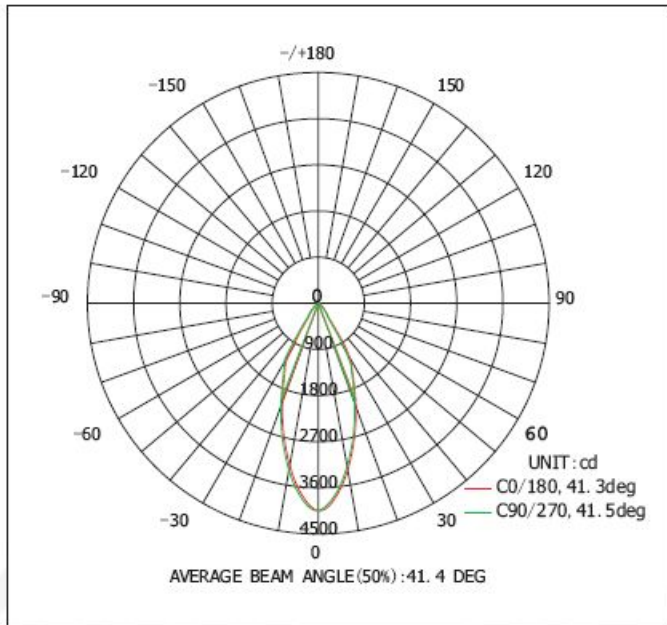
## COEFFICIENTS OF UTILIZATION

ppc	80%			70%			50%			30%			10%			0
	50%	30%	10%	50%	30%	10%	50%	30%	10%	50%	30%	10%	50%	30%	10%	0
pw	20%			20%			20%			20%			20%			0
pfc	20%			20%			20%			20%			20%			0
RCR	RCR:Room Cavity Ratio			CU												
0	119	119	119	116	116	116	111	111	111	106	106	106	102	102	102	100
1	111	108	106	109	106	104	105	103	101	101	99	98	97	96	95	94
2	103	99	96	101	98	95	98	95	93	95	93	91	93	91	89	87
3	96	92	88	95	91	87	92	89	86	90	87	84	88	85	83	81
4	90	85	81	89	84	80	87	83	79	85	82	79	83	80	78	76
5	85	79	75	84	79	75	82	78	74	81	77	74	79	76	73	71
6	80	74	70	79	74	70	78	73	70	77	72	69	75	72	69	67
7	76	70	66	75	70	66	74	69	66	73	68	65	72	68	65	63
8	72	66	62	71	66	62	70	65	62	69	65	62	68	64	61	60
9	68	63	59	68	62	59	67	62	59	66	62	58	65	61	58	57
10	65	59	56	65	59	56	64	59	56	63	59	55	62	58	55	54

### SS-DL-27W

#### Photometric Curve:

Fixture photometry has been conducted accredited testing laboratory in accordance with IESNA LM-79-08.



### PERFORMANCE SUMMARY

Efficacy: 87LPW  
 Delivered Light Output: 2387 Lumens  
 Rated Power: 27 Watts  
 Chip: CREE COB by Cree TrueWhite Technology  
 CRI: Ra > 80  
 ES CCT Options: 3000K 3500K 4000K 5000K  
 Input Voltage: 100-277 VAC  
 Input current: 0.3A  
 THD: < 20% (at 277V)  
 PF: > 0.9 (at 277V)  
 Standard Warranty: 5 Years  
 Standard Lifetime: Designed minimum 50,000 hours  
 Mounting: Recessed

### CERTIFICATE

UL and cUL listed  
 E355621  
 Energy Star Listed  
 FCC 47 Part 15  
 LM79 Report  
 ES CCT Options: 3000K 3500K 4000K 5000K  
 Suitable for damp locations.

## ZONAL LUMEN DENSITY MEASUREMENT

T	φ zone	φ total	lum, lamp
0-10	344.1	344.1	14.4,14.4
10-20	741.5	1086	45.5,45.5
20-30	741.2	1827	76.5,76.5
30-40	331.5	2158	90.4,90.4
40-50	121.3	2280	95.5,95.5
50-60	58.75	2338	98,98
60-70	31.57	2370	99.3,99.3
70-80	14.08	2384	99.9,99.9
80-90	2.773	2387	100,100

## LUMINOUS INTENSITY(CD) DISTRIBUTION DATA

Y	C0	C45	C90
10	3214	3257	3305
20	2054	2112	2129
30	1143	1291	1318
40	237.5	270.3	285.7
50	85.94	99.03	110.5
60	41.15	44.27	51.30
70	19.10	19.88	23.51
80	5.343	6.258	7.591
90	0.0001	0.0059	0.1395

## COEFFICIENTS OF UTILIZATION

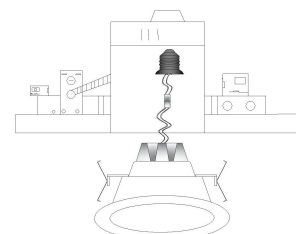
ppc	80%			70%			50%			30%			10%			0
	pw	30%	10%	50%	30%	10%	50%	30%	10%	50%	30%	10%	50%	30%	10%	0
pfc	20%			20%			20%			20%			20%			0
RCR	RCR:Room Cavity Ratio						CU									
0	119	119	119	116	116	116	111	111	111	106	106	106	102	102	102	100
1	111	108	106	109	106	104	105	103	101	101	99	98	97	96	95	94
2	103	99	96	101	98	95	98	95	93	95	93	91	93	91	89	87
3	96	92	88	95	91	87	92	89	86	90	87	84	88	85	83	81
4	90	85	81	89	84	80	87	83	80	85	82	79	83	80	78	76
5	85	79	75	84	79	75	82	78	74	81	77	74	79	76	73	72
6	80	75	70	80	74	70	78	73	70	77	72	69	75	72	69	67
7	76	70	66	75	70	66	74	69	66	73	68	65	72	68	65	64
8	72	66	62	71	66	62	70	65	62	69	65	62	68	64	61	60
9	68	63	59	68	62	59	67	62	59	66	62	58	65	61	58	57
10	65	60	56	65	59	56	64	59	56	63	59	55	62	58	55	54

### 5. Application information

Home,market,hotel,restaurant,shop display window,exhibition,reading room and other indoor illumination.

### 7. Caution

- \* Don't make the lamp heating or thrown into the fire.
- \* Risk of electric shock,if using lamp incorrectly.
- \* Do not disassemble or assemble lamp.
- \* Do not drop the lamp down or put heavy goods on it.
- \* Do not let sharp things hit the lamp body surface.





## 8. Installation

- \* .Cut off the power, forbidden to install with power
- \* .Can not violate any fire regulations when using the lamp
- \* .Please find a professional electrician to install
- \* .Before installation, careful reading lamps description,use the lamp correctly

